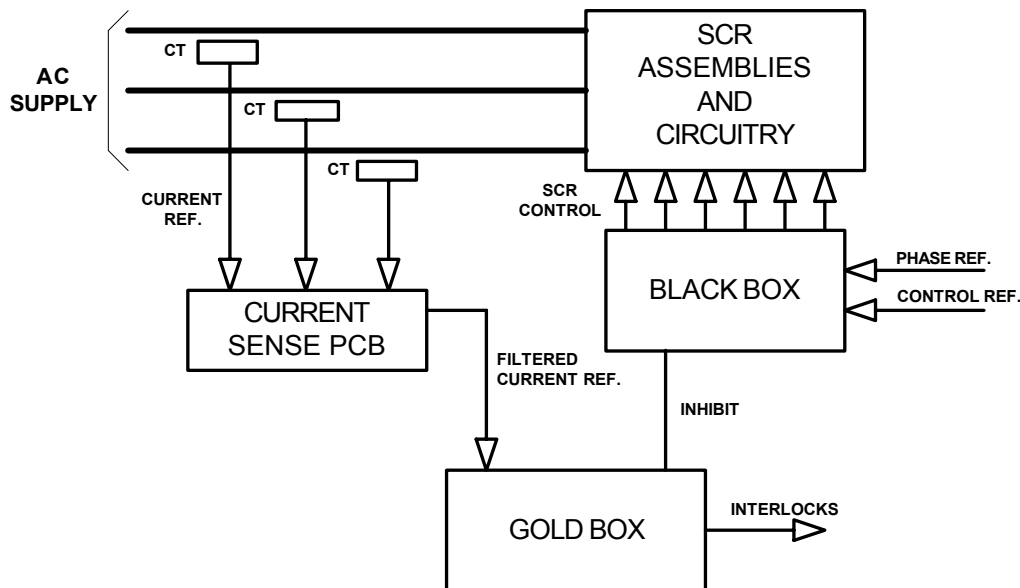




SCR Controller Upgrade Kit

This SCR Controller Upgrade package is designed to bring the SCR control circuitry of your Electron Beam Processor up to current technology. It will eliminate the “Black Box” and “Gold Box” controllers that were manufactured by Innotech or Eratron. These units are obsolete and no longer supported. The existing control scheme is shown below.

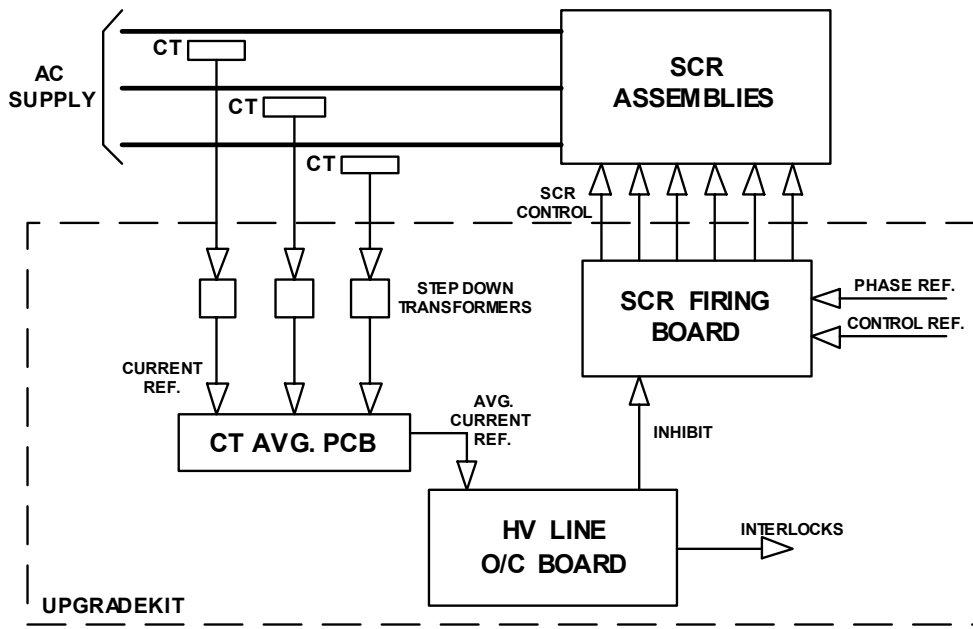


The existing parts that will be replaced are:

- Current Sense PCB Assembly
- Black Box (SCR Firing Circuit Assembly)
- Gold Box (Control Regulator Assembly)
- Fuses feeding the Black Box and Gold Box
- Miscellaneous terminals blocks and wiring

The updated system is shown below and has many improvements. The new HV Line O/C Sense Board has enhanced functionality over the older systems. This board has a fast trip and a slow trip circuit. This allows a fast trip for spikes, and a lower average trip for over average current. There is also some optional circuitry on the board that can be used in the situation where there are noise problems in the system.





The above listed parts will be replaced with a unit where all of the components are pre-mounted on a back panel for easy mounting in the enclosure. The components mounted on this panel are:

- Current transformers – whose ratio is set according to the current setting of the CT's installed in the machine.
- CT Averaging Board
- SCR Firing Board
- HV Line O/C Sense Board
- Miscellaneous terminal blocks and wiring

The upgrade unit price includes the time for a BroadBeam Field Technician to visit the job site and perform the upgrade. The price does not include the travel time and expenses of the field technician. The travel time will be billed at standard rates and the expenses billed at cost.



www.TeamPCT.com

www.BroadBeamEquipment.com

5433 Tremont Avenue, Davenport, Iowa 52807
 Phone 563-391-8011 Fax 563-391-8432